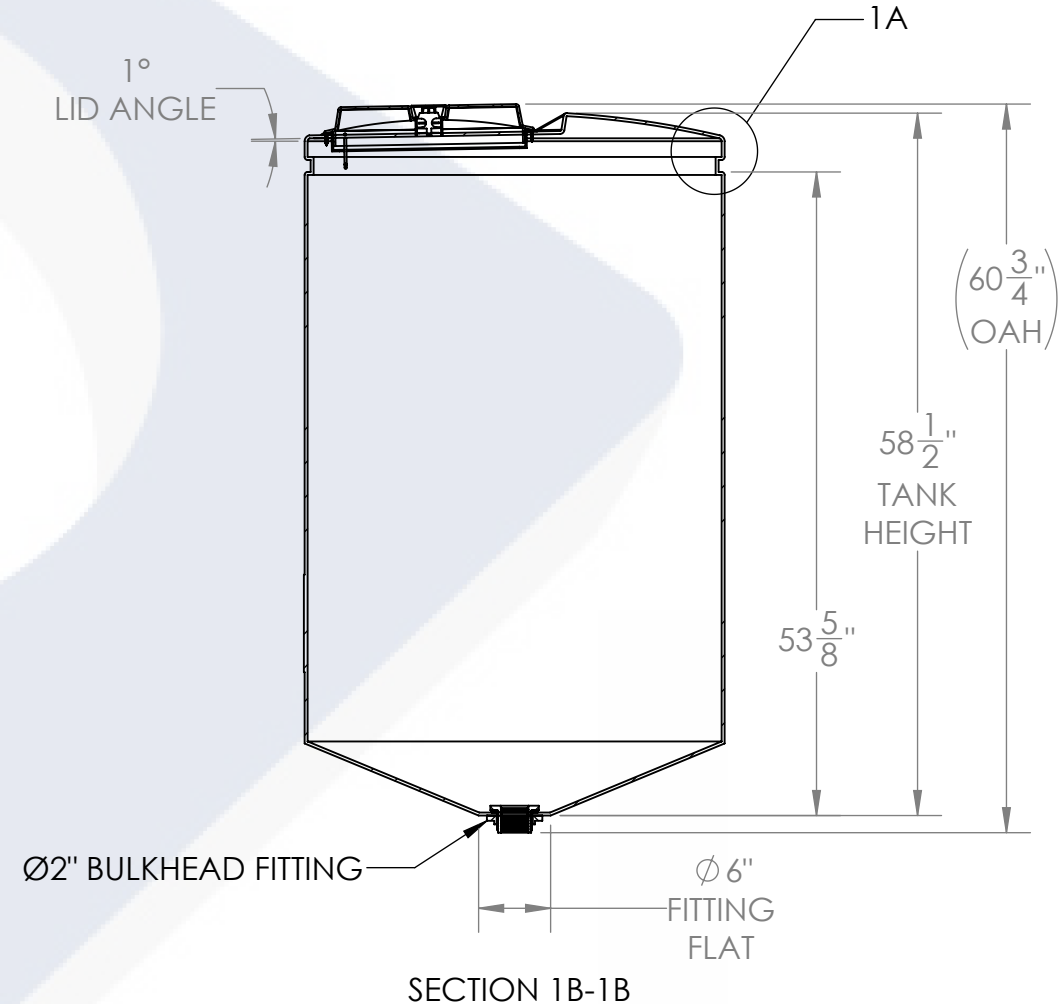
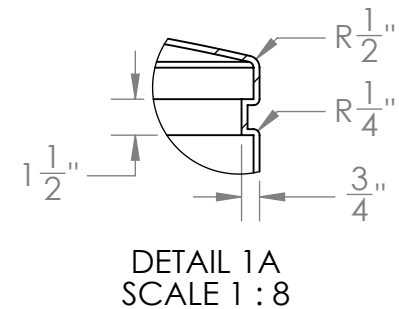
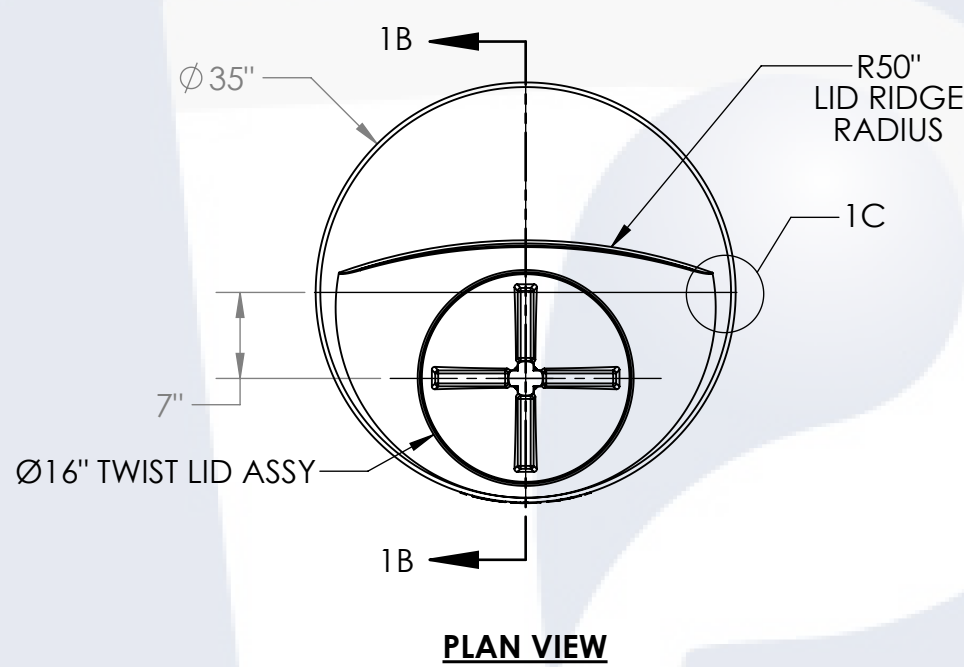


**ISOMETRIC VIEW
(FRONT)**



- NOTES:**
- CAPACITY: 200 GAL. NOMINAL
 - TANK MATERIAL: MDPE
 - SERVICE PRESSURE: ATMOSPHERIC
 - NSF/ANSI STANDARD 61 CERTIFIED

PROPRIETARY AND CONFIDENTIAL
 THE INFORMATION CONTAINED IN THIS DRAWING IS THE SOLE PROPERTY OF PEABODY ENGINEERING. ANY REPRODUCTION IN PART OR AS A WHOLE WITHOUT THE WRITTEN PERMISSION OF PEABODY ENGINEERING IS PROHIBITED.

UNLESS OTHERWISE SPECIFIED:
 DIMENSIONS ARE IN INCHES
 TOLERANCES: $\pm 1/4''$
 ANGULAR: $\pm .5^\circ$
 ONE PLACE DECIMAL: $\pm .125$
 TWO PLACE DECIMAL: $\pm .063$
 THREE PLACE DECIMAL: $\pm .016$

TANK MATERIAL: -
 INNER TANK S/N:
 OUTER TANK S/N:
 CUSTOMER PO#

DO NOT SCALE DRAWING

	NAME	DATE
DRAWN	SMF	03/01/23
CHECKED		
ENG APPR.		
MFG APPR.		
Q.A.		

PROJECT: PROCHEM® TANKS		
CUSTOMER: PEABODY STANDARD		
SITE/LOCATION: -		
SALES ORDER: -		
SIZE	DESC.	REV.
B	200GAL CONE BOTTOM TANK	B
SCALE: 1:16		SHEET 1 OF 1